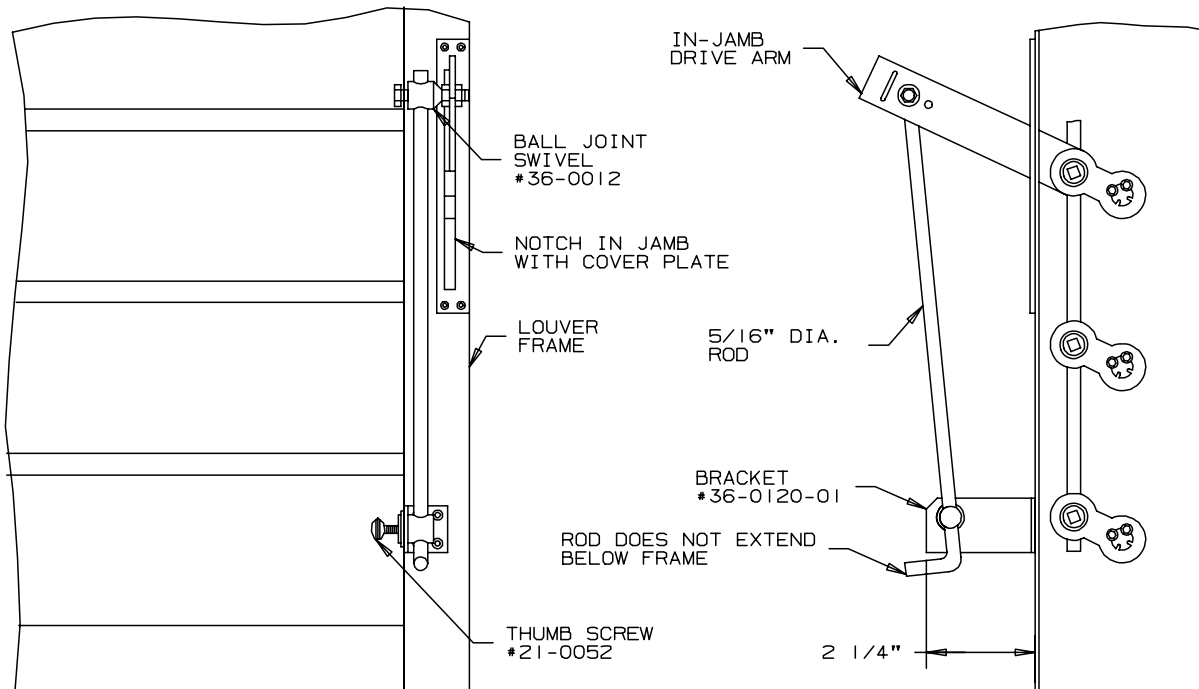


TYPICAL WING SCREW OPERATOR CONNECTED TO BLADE



TYPICAL WING SCREW OPERATOR CONNECTED TO BLADE SHAFT



AIR BALANCE, INC.
A Mestek Company

450 Riverside Drive
Wyalusing, PA 18853

AGENT: _____

INSTALLATION,
0-13 WING SCREW
OPERATOR